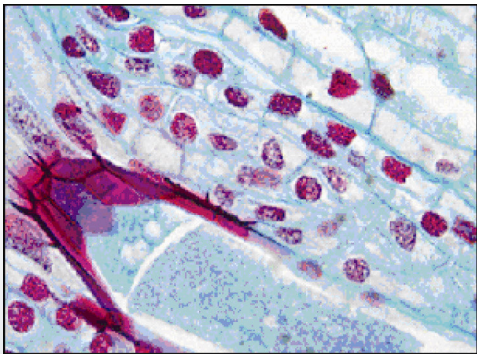


AU-107-CCD DIGITAL MICROSCOPY CAMERA

The 11 megapixel AU-107-CCD large format camera, boasts excellent color rendition, making it ideal for life science, clinical and industrial applications.

Matching the large field of view of a 35mm camera, this USB 2.0 camera offers 3.5 frames per second at full 4008 x 2672 resolution, fast 60 fps through binning and ROI, and on-board processing for superior image quality.



Live video preview provides for real-time focus while auto exposure and auto white balance efficiently capture your optimal image. The USB 2.0 digital interface ensures a simple plug-and-play installation. No framegrabber required. Capture high quality images through INFINITY ANALYZE – an advanced image capture, measurement and processing software package. The AU-107-CCD can also be fully integrated with other third party imaging applications through our TWAIN driver and MAC plug-in.

A custom coupler engineered for all microscope models is also available. This F-mount coupler allows you to take full advantage of this high resolution camera by ensuring that the entire 43mm field of view is visible.

Every INFINITY AU camera includes *INFINITY ANALYZE* software for advanced camera control, image processing, measuring and annotation, and is supported by an experienced team of technical support and imaging experts.

We understand your imaging needs and are here to help you get the most out of your camera.



Performance Features

- Large format 10.7 megapixel CCD sensor
- Excellent sensitivity with high fidelity color reproduction
- Custom coupler for all microscope models now available
- Progressive scan with electronic global shutter
- High-speed USB 2.0 interface eliminates a framegrabber and facilitates ease of installation on both laptop and desktop computers
- Ideal for the most demanding brightfield and darkfield microscopy applications, including clinical pathology and cytology, histology, life science and geology
- Full color sub-windowing allows for rapid focus and scanning of samples: 3.5 fps at full 4008X2672 resolution, 60 fps with binning and reduced preview resolution
- Selectable 8 and 12-bit pixel data modes
- The RGB data captured through each pixel contains 36-bits of color image information resulting in 4096 intensity values
- Capture high quality images with INFINITY ANALYZE, an advanced image capture, measurement and processing software package
- A compact design equipped with an F-Mount, facilitating installation on all microscope configurations including upright, inverted and stereo (with coupler)
- Compatible with Windows 2K, Windows XP, Windows Vista and Mac OS 10.4 operating systems

ACCU-SCOPE®
Quality thru Vision

UNITRON®
EXCELLENCE BY DESIGN
SINCE 1952

Specifications — AU-107-CCD

Camera Sensor

Image Sensor	35mm large format Interline Kodak KAI11002 10.7 megapixel color or monochrome progressive scan CCD sensor
Effective Pixels	4008x2672, 9µm square pixels
Frame Rate	3.5 fps at full resolution, 60 fps with binning and ROI
Signal/Noise	>65dB
Digital Output	8 and 12-bit
Readout Frequency	32 MHZ

Camera Controls

Mass	~940g
Power Requirement	External 12VDC - 2A
Power Consumption	~18.7 Watts
Operating Temperature	0° C to +50° C
Operating Humidity	5%-95%, Non-condensing
Integration Time	1/5000 to 364 ms.
Shutter	Progressive scan with global shutter
ROI	User Selectable through mouse click and drag
Auto Exposure	Automatic / Manual
White Balance	Automatic / Manual
Gain	Programmable / 1 to 10x
Interface Connector	Standard USB 2.0 high-speed interface
Dimensions (W x H x D)	3.50 x 3.85 x 4.09 inches
Lens Mount	F-Mount lens adapter (ordered separately)
Binning Options	2x2, 3x3, 4x4

Design, features and specifications are subject to change without notice.

Recommended PC Specs:

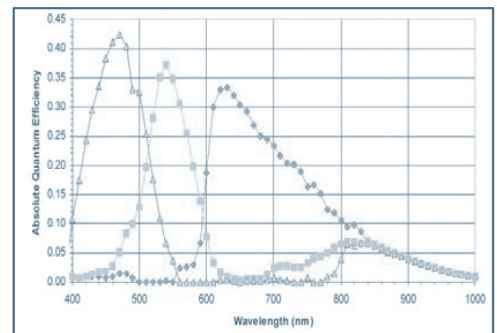
- Pentium 4, 1.3 GHz or higher
- 512MB RAM
- 60 MB hard drive free space or more
- USB 2.0 Port
- Windows 2000, XP, Vista, or 7
- Quick Time 7

Minimum PC Specs:

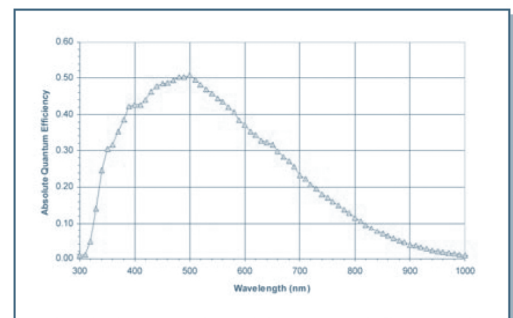
- 600 MHz Processor
- 256 MB of SDRAM
- 20 MB hard drive free space
- USB 2.0 Port
- Windows 98 or ME

Product Includes:

- AU-107-CCD INFINITY digital camera for USB 2.0
- CD-ROM with INFINITY user application software
- TWAIN driver
- Documentation
- USB 2.0 cable
- International Power Supply — 12V.2A.24W

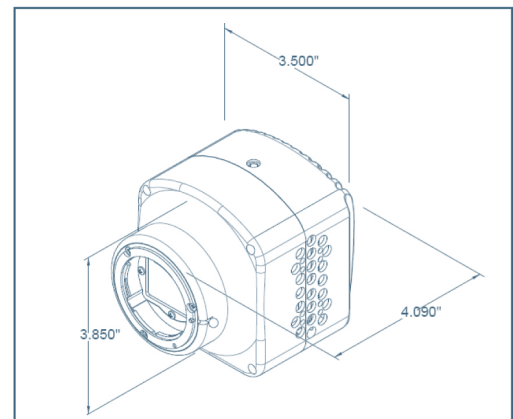


Color Response Curve



Mono Response Curve

Mechanical Drawing:



Mac Plug-In Available

- A Mac Plug-In for all ACCU-SCOPE/UNITRON cameras is now available
- Compatible with Mac OS 10.4 (requires Quick Time V7)
- Contact ACCU-SCOPE/UNITRON to download the latest version

ISO 9001 Certification

Design and production adheres to ISO9001 international quality standard.

ISO 14001 Certification

Design and production meets the requirements of international standard ISO 14001 for environmental management.



73 Mall Drive • Commack, NY 11725
631-864-1000 (P) • 631-543-8900 (F)

email: info@accu-scope.com

email: info@unitronusa.com

www.accu-scope.com • www.unitronusa.com

